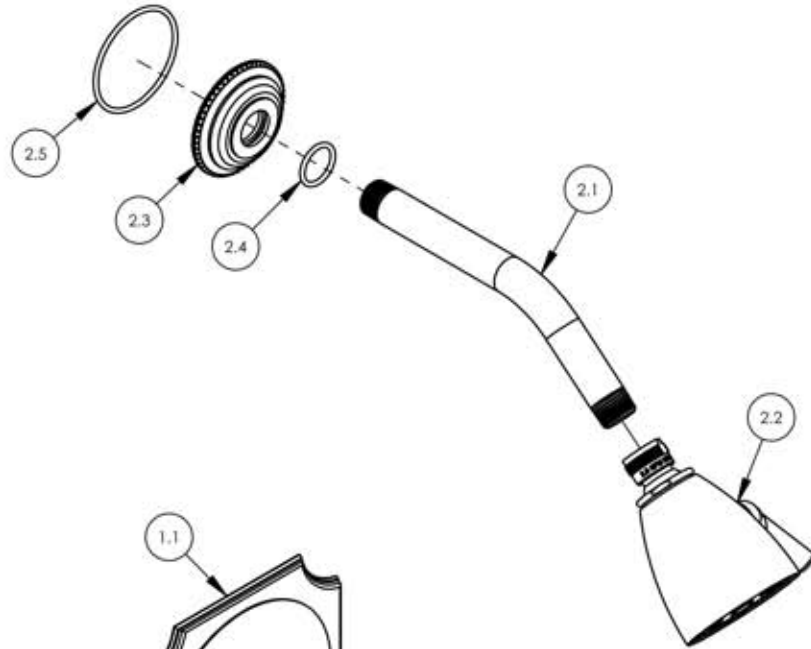


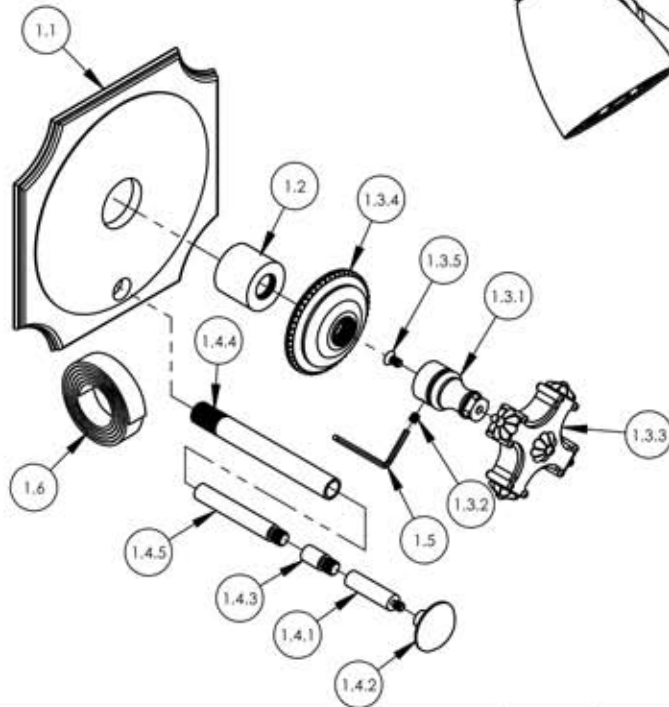
A



B

C

D



ITEM NO.	PART NUMBER	DESCRIPTION	QTY.
1	4-479/00	PRESSURE BALANCE SHOWER PLATE W/ DIVERTER & HANDLE TRIM SET, CROSS HANDLE, MARVELLE SEIRES	1
1.1	10516/00	TRIM PLATE DIVERTED, FRENCH TRAD. PB/THERMO	1
1.2	10986	CENTERING PLATE SLEEVE	1
1.3	3-029/00	CROSS HANDLE, MARVELLE SERIES	1
1.3.1	10542/00	BASE HANDLE, CROSS MARVELLE	1
1.3.2	92008	SET SCREW, CUP POINT 8-32	2
1.3.3	2-114/00	SUB-ASSY. HANDLE CROSS, MARVELLE SERIES	1
1.3.4	10540/00	ESCUTCHEON, MARVELLE SERIES	1
1.3.5	92146	SCREW, FLAT HD, 8-32 x 5/16"L	1
1.4	3-125/00	EXTENSION ASSY FOR PB TUB & SHOWER SET	1
1.4.1	11008/00	DIVERTED STEM FOR PB PLATE	1
1.4.2	11006/00	PULL KNOB, DIVERTER, 10-24	1
1.4.3	11085/00	EXTENSION PIN FOR PB TUB & SHOWER SET	1
1.4.4	11009/00	EXTENSION SLEEVE FOR STEM, PB TUB & SHOWER SET	1
1.4.5	11007/00	EXTENSION PIN FOR PB TUB & SHOWER SET 1.25LONGER	1
1.5	92184	HEX L-KEY 3/32" HEX x 2 1/8"L	1
1.6	90537	1/16" TAPE FOR WALL PLATE	1
2	4-509/00	SHOWER HEAD 8" ARM, 6 JET PLUNGER, MARVELLE	1
2.1	P16008/00	SHOWER ARM (8 INCH)	1
2.2	P16014/00	SHOWERHEAD SIX JET	1
2.3	11313/00	ESCUTCHEON, SPOUT, WALL LAV, MARVELLE	1
2.4	90117	O-RING, 7/8"ID X 33/32"THK., AS-568-117	1
2.5	90140	O-RING, 2-1/4ID X 3/32THK., AS-568-140	1

E

ALL	REV.	DESCRIPTION	DATE	APPROVED
A		-ASSY. UPDATED WITH SUB ASSY'S	12/5/2015	GRE

REVISIONS		PROPRIETARY AND CONFIDENTIAL
1261 LOGAN AVENUE COSTA MESA, CALIFORNIA 92626 PHONE: 714.361.4800 FAX: 714.617.3120	<b>PHYL RICH</b> Defining Luxury Since 1959	THE INFORMATION CONTAINED IN THIS DRAWING IS THE SOLE PROPERTY OF RISS MANUFACTURING. ANY REPRODUCTION IN PART OR AS A WHOLE WITHOUT THE WRITTEN PERMISSION OF RISS MANUFACTURING IS PROHIBITED.

NEXT ASSY	USED ON	FRACTIONS ±1/64"	DECIMALS X.X: ±.1 X.XX: ±.01 X.XXX: ±.005	ANGULAR ±.5°
APPLICATION				
MATERIAL			NAME	DATE
FINISH		DRAWN	LLO	10/16/2015
DO NOT SCALE DRAWING		CHECKED	GRE	

PRESSURE BALANCE SHOWER & DIVERTER  
(LESS SPOUT), CROSS HANDLE, MARVELLE  
SERIES

SIZE	ASM/PRT NO.	REV
<b>A</b>	4-477/00	A
SCALE: 1:4	WEIGHT: lbs.	SHEET 1 OF 2

5

4

3

2

1